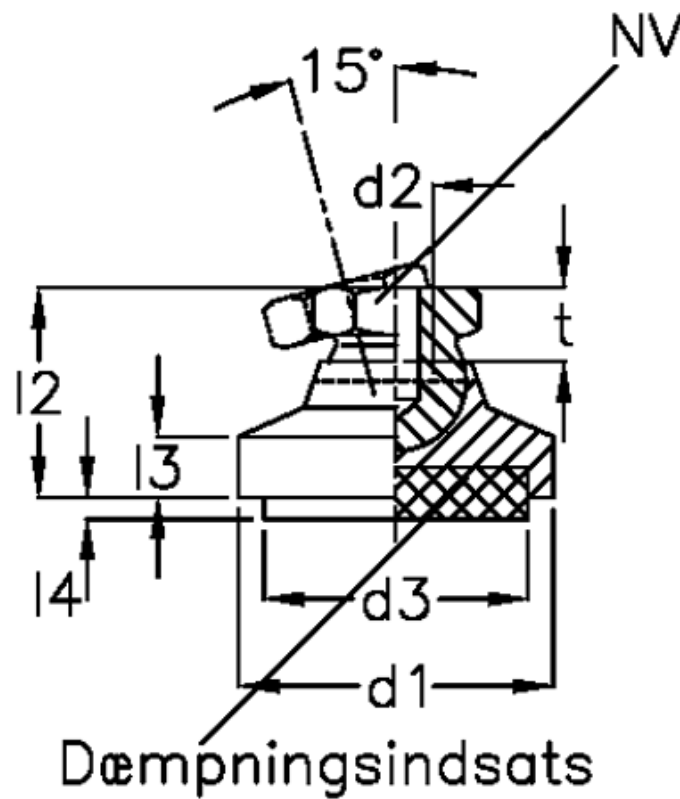


Article number: 20955443

Description: E+G Levelling foot
GN 342.1-32-M10-SV

Measures



Area(m ²) damping insert	= 707	l4 compression 0.6 N/mm ²	= 3.4
d1	= 32	Load (N) by compression 0.4 N/mm ²	= 280
d2	= M10	t	= 10.5
d3	= 30		
l2	= 29.0		
l3	= 11.0		
l4 compression 0 N/mm ²	= 5.5		
l4 compression 0.4 N/mm ²	= 4.3		